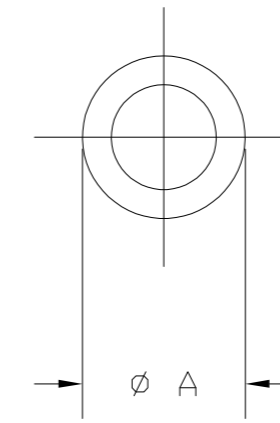
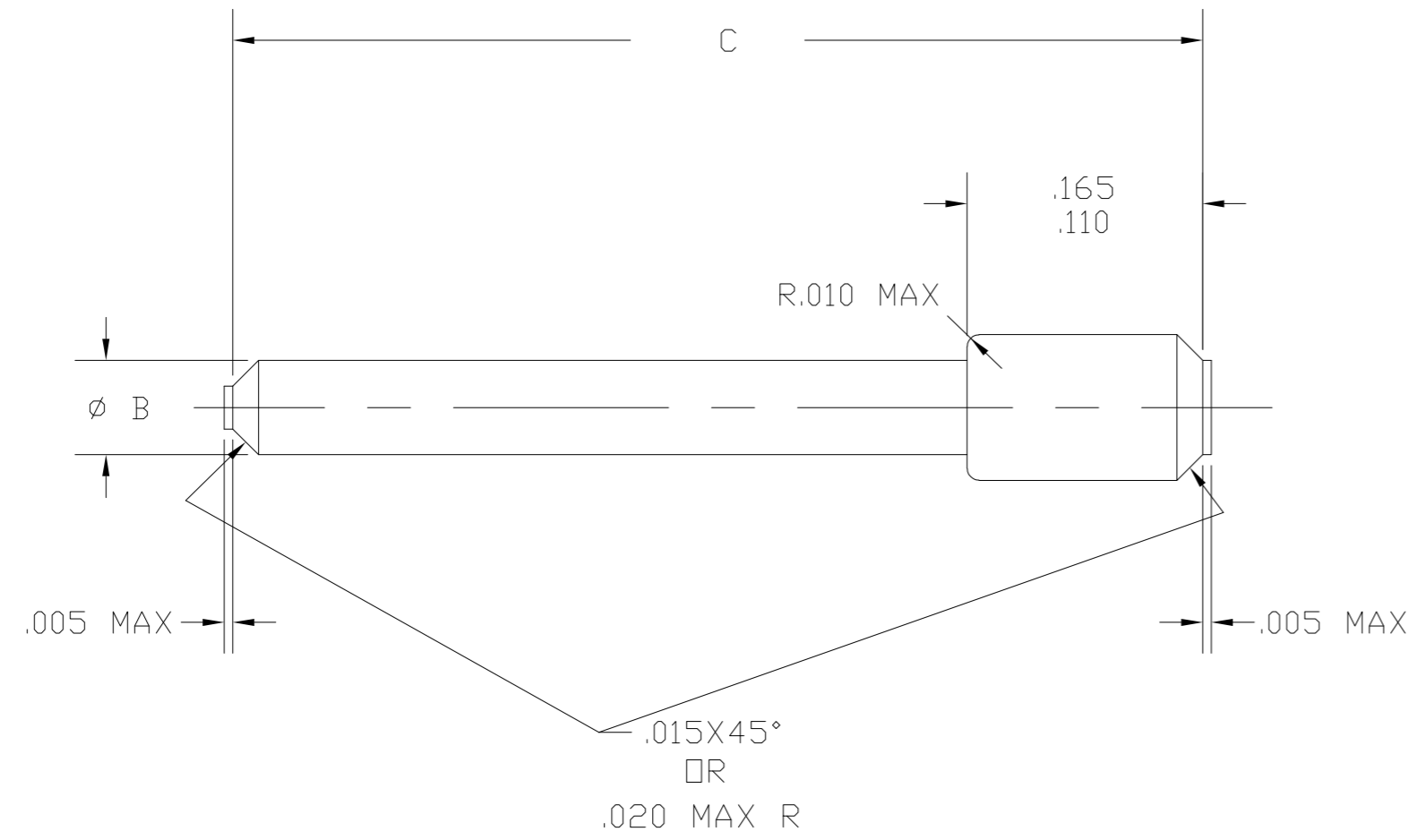


THIS DRAWING IS UNPUBLISHED. RELEASED FOR PUBLICATION
 © COPYRIGHT - By - ALL RIGHTS RESERVED.

LDC		DIST		REVISIONS			
P	LTR	DESCRIPTION		DATE	DWN	APVD	
-	-	F		REV PER ECO 14-016957	2-2-07	CT	DE



.469±.031	.040±.005	.063±.005	BLACK	22HD	592104-4
.564±.020	.121±.010	.171±.005	YELLOW	12	592104-3
.564±.020	.083±.010	.133±.005	BLUE	16	592104-2
.564±.020	.055±.010	.085 ^{+.015} _{-.000}	RED	20/22	592104-1
DIM. C	DIM. B	DIM. A	COLOR	SIZE	PART NO.

TABULATION CHART

THIS DRAWING IS A CONTROLLED DOCUMENT.		DWN	12MAY99																		
DIMENSIONS: INCHES		CHK	5-11-99																		
TOLERANCES UNLESS OTHERWISE SPECIFIED:		APVD	5-11-99																		
<table border="1"> <tr><td>0 PLC</td><td>±</td><td>-</td></tr> <tr><td>1 PLC</td><td>±</td><td>-</td></tr> <tr><td>2 PLC</td><td>±</td><td>-</td></tr> <tr><td>3 PLC</td><td>±</td><td>.005</td></tr> <tr><td>4 PLC</td><td>±</td><td>-</td></tr> <tr><td>ANGLES</td><td>±</td><td>-</td></tr> </table>		0 PLC	±			-	1 PLC	±	-	2 PLC	±	-	3 PLC	±	.005	4 PLC	±	-	ANGLES	±	-
0 PLC	±	-																			
1 PLC	±	-																			
2 PLC	±	-																			
3 PLC	±	.005																			
4 PLC	±	-																			
ANGLES	±	-																			
MATERIAL		PRODUCT SPEC		SEALING PLUG, TJ																	
TEFLON PER MS27488		FINISH		SCALE																	
		WEIGHT		RESTRICTED TO																	
		CUSTOMER DRAWING		SCALE 10:1 SHEET 1 OF 1 REV F																	